



# THE "MINI" AQUAKIOSK

## From Aqua Technique

**Ultrafiltration for small production units  
3 to 20 cubic meters per day**

### The product

The "MINI" is the latest product in the Aqua Technique AQUAKIOSK range, producing up to 20 cubic metres of ultrafiltered water per day from a network, groundwater or surface water supply source. The "MINI" AQUAKIOSK delivers perfectly clear water with a turbidity of less than 0.1 NFU and 5 log removal of germs.

### Uses

Ideal for small communities, remote settlements, industrial uses and rural needs, the "MINI" AQUAKIOSK can be powered by solar panel thanks to its low electrical power consumption.

### Operation & Maintenance

The "MINI" AQUAKIOSK is a simple, robust machine developed by people with an expert knowledge of rural environments. Operation and maintenance require no particular skills and can easily be performed by the local community.

Manufactured in polysulfone, the ultrafiltration module has a long life span.



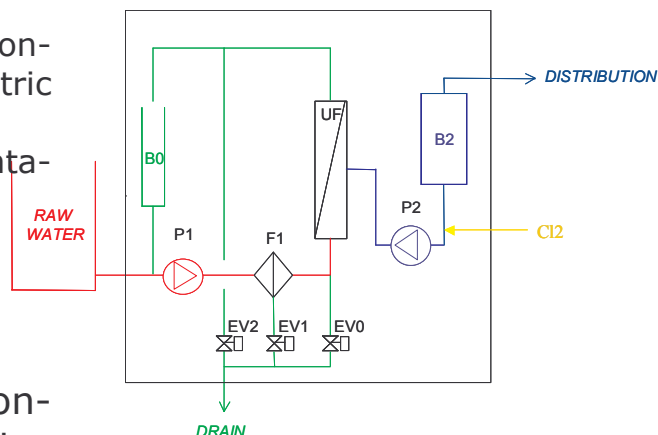
### Ultrafiltration

A simple filtration process (0.01µm) provides a hermetic barrier against suspended solids, algae, bacteria and viruses while retaining mineral salts.

**Ultrafiltration is used for one-stage production of treated water performing clarification and disinfection in a single process.**

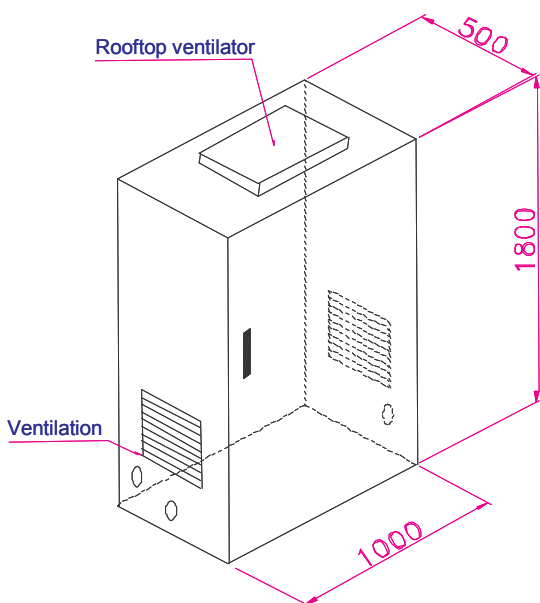
## How it works

- Protection of the membrane is ensured by a 130µm prefiltration process.
- Alimentation pump.
- The different cycles of operation are controlled by a series of automatic electric valves..
- Regeneration membrane tank using alimentation pump.
- Backwash water tank with pump.
- Switch box with micro control system.
- Dosing pump for chlorination.



**Nota :** The supply source must be conform with WHO drinking water standards.

## Technical characteristics



Number of modules	1	2
Production flow (m3/day) for a temperature of 20°C	10	20
Dimensions LxIxh (mm)	1020x665x2020	
Weight drained unit	300kg	320kg
Weight in operation	380kg	445kg
Voltage	230 V Monophasé	
Installed power (PW)	1200W	
Maximum pressure	1 bar	
Dia raw water (ND/ext)	U3P PVC F1"	
Dia treated water (ND/ext)	U3P PVC F1"	
Dia / backwash water (ND/ext)	U3P PVC F1"	

 **6 hr/d operation using solar panel option**

**FOR FURTHER INFORMATION PLEASE CONTACT :**

AQUA TECHNIQUE  
 PARC DE L'ÎLE - 15/27, RUE DU PORT – F 92022 - NANTERRE  
 TEL : 01 46 14 71 73 / FAX : 01 46 14 71 69 / EMAIL : [contact@aquatechnique.fr](mailto:contact@aquatechnique.fr)  
 SITES INTERNET : <http://www.aqua-technique.fr>